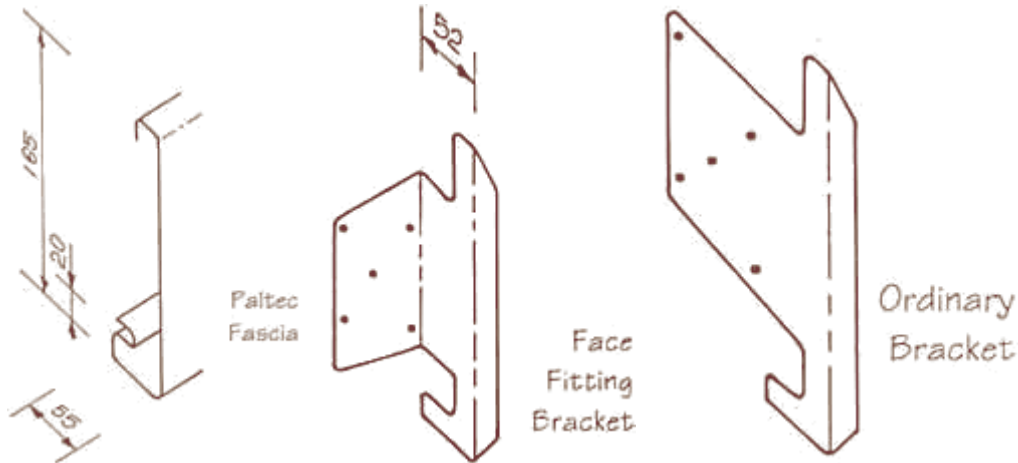
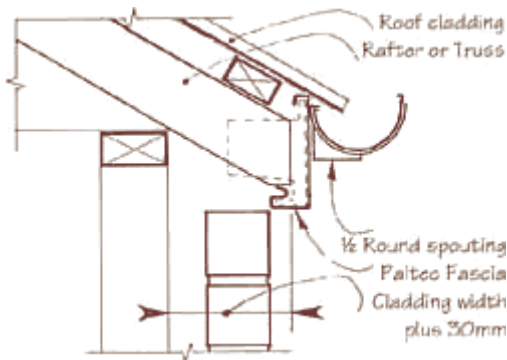


Paltec Fascia - Installation



Q. How far should rafters project if there's no eave overhang ?

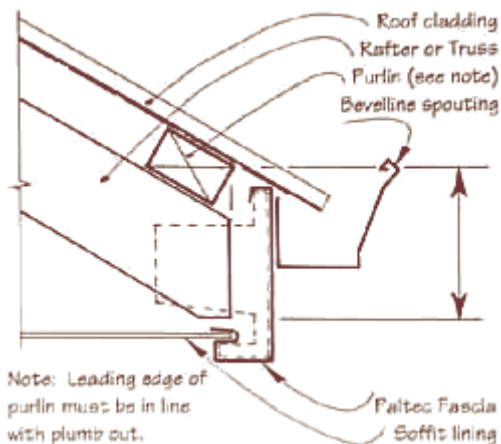


Examples

- Cladding - 12.5mm Hardiflex
Rafter projection will be 42.5mm past outside of studs.
(12.5 + 30 = 42.5mm)

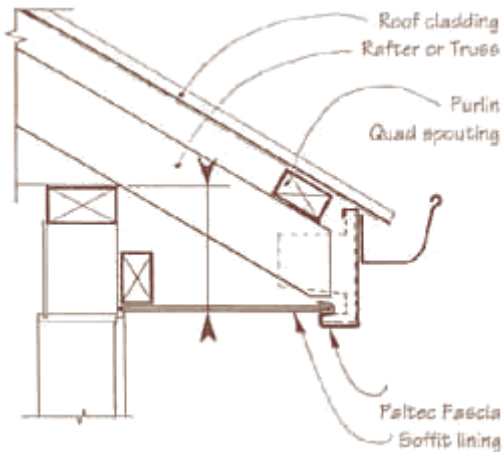
Cladding - 90 series brick
50mm cavity will be 170mm past outside of studs.
(90 + 50 + 30 = 170mm)

Q. How deep a "toe cut" do I make to rafters ?



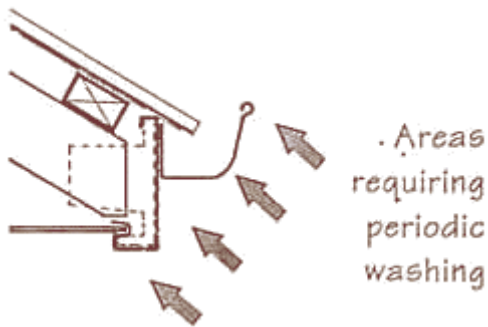
Roof Pitch	Distance from line of top of purlins to bottom face of toe cut
15° or less	toe cut not required
15° to 30°	145mm
Over 30°	155mm

Q. How far below the top plate is the soffit lining ?



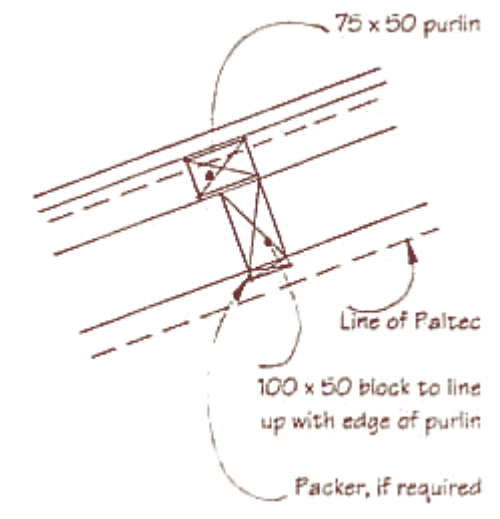
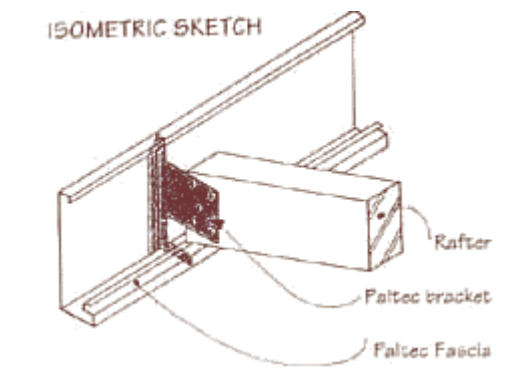
Roof Pitch	450mm Eave Overhang	600mm Eave Overhang
5°	46mm	59mm
10°	87mm	115mm
15°	128mm	169mm
20°	171mm	226mm
25°	214mm	285mm
30°	259mm	347mm
35°	315mm	420mm

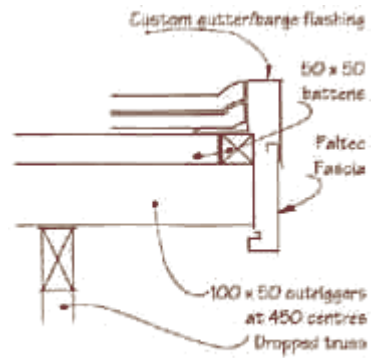
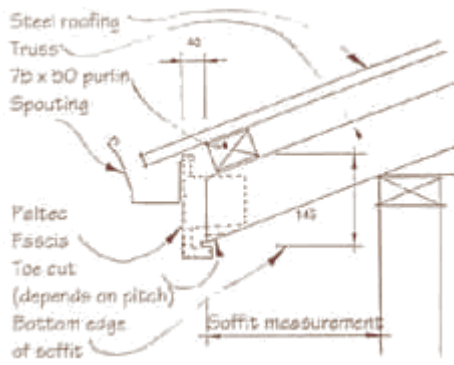
Q. How often should the Paltec be washed ?



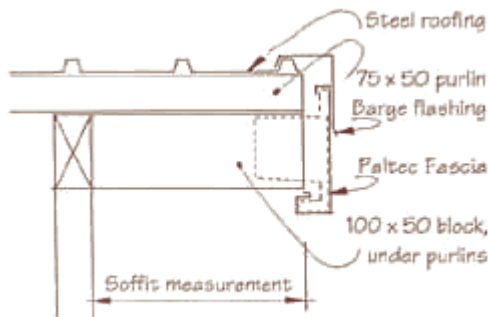
Areas not washed by rain, i.e. under eaves and in lee of spouting should be washed at 6 month intervals or more frequently in areas of salt-laden sea air.

ISOMETRIC SKETCH





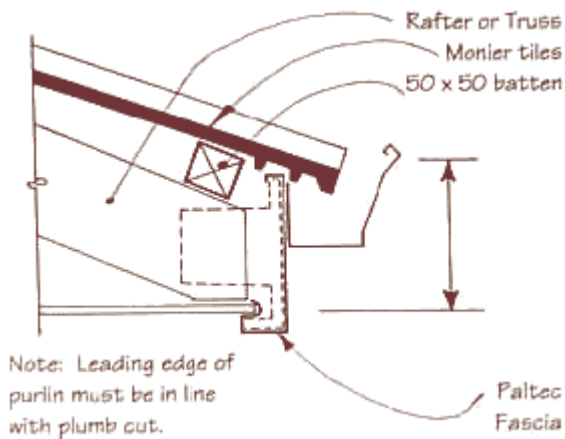
VERGE DETAIL - Concrete Tiles



VERGE DETAIL - Steel Roofing

Details for use with Monier Tiles

Q. How deep a "toe cut" do I make the rafters ?



Roof Pitch	Distance from line of top purlins to bottom face of toe cut
15°	170mm
15° to 30°	145mm
Over 30°	155mm



Sales
0800 737 663



free fax order line
0800 273 766



Branch Address

Auckland
9 Neil Park Drive
East Tamaki
Phone (09) 271 0681
Fax (09) 271 0684

Milton
332 Union Street
Phone (03) 417 7245
Fax (03) 417 7283

Invercargill
120 Bond Street
Phone (03) 214 5544
Fax (03) 214 5577

Christchurch
127 Wrights Road
Phone (03) 338 0013
Fax (03) 338 0791

Dunedin
26 Fox Street
Phone (03) 479 0658
Fax (03) 455 4196

Cromwell
1 McNulty Road
Phone (03) 445 3303
Fax (03) 445 3304

Queenstown
PO Box 437
Phone (03) 442 2202
Fax (03) 442 2204

e-mail : info@calstewart.co.nz
web www.roofer.co.nz

Calder  Stewart
Roofing