

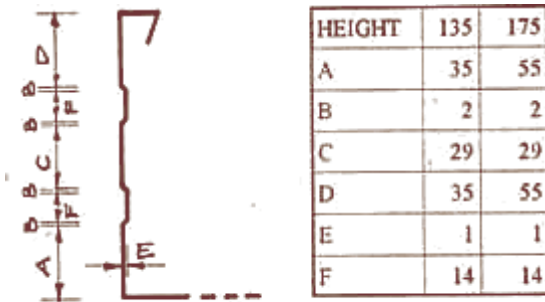


## BOX GUTTERS

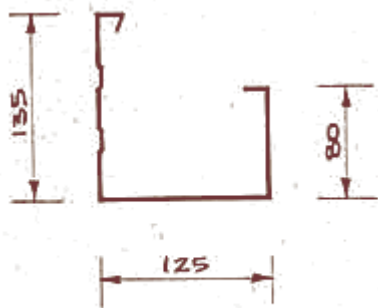
Commercial buildings with large catchment areas on the roof require high volume Spouting to carry the run off water.

Calder Stewart Roofing manufacture a variety of sizes, and associated brackets, to allow matching with most building designs. For correct sizing refer to the spouting capacity information sheet.

### Standard Sizes



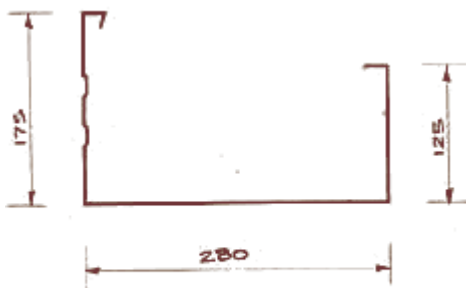
### GUTTER FRONT DIMENSIONS



HI LINE



175 BOX



280 BOX

NOTE: Gutter will have swage front as per drawings unless otherwise stated.

## CROSS-SECTIONAL AREA

The cross-sectional area of Calder Stewart Roofing Box Gutters are:

125 Hi Line gutter 9950mm<sup>2</sup>

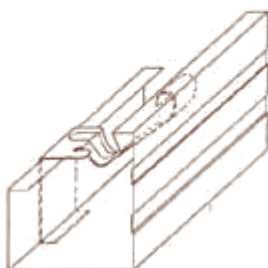
175 box gutter 21645mm<sup>2</sup>

280 box gutter 34770mm<sup>2</sup>

Cross-sectional areas are used when assessing capacity of spouting in relation to roof area and pitch. (New Zealand Building Code E1, Surface Water). Please refer to Calder Stewart Roofing's spouting brochure for more information.

## BRACKETS

Internal Brackets, galvsteel.



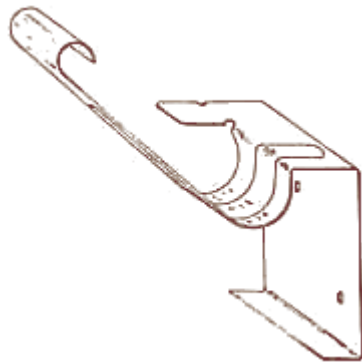
Brackets are available to fit gutter sizes as follows:

Hi Line                    internal brackets  
                                 external brackets in 130mm, 150mm and 160mm

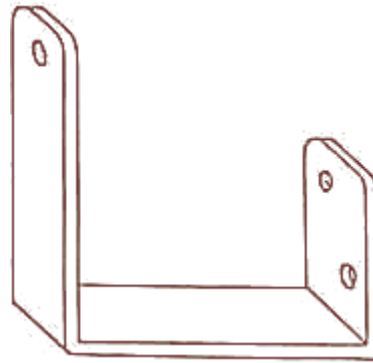
175 Box Gutter   external brackets in 180mm, 200mm and 210mm

280 Box Gutter   external brackets in 285mm and 310mm

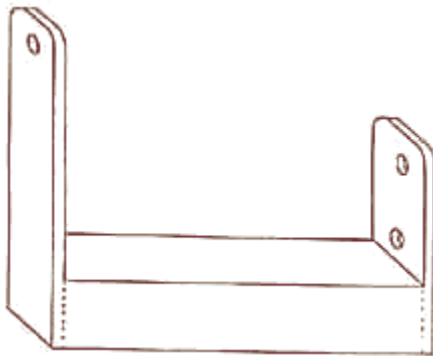
In most situations the recommended bracket spacing is 750mm centres. In snow prone areas, Calder Stewart Roofing recommend installing brackets at closer centres to help prevent distortion and collapse of gutters, due to the weight of snow build-up.



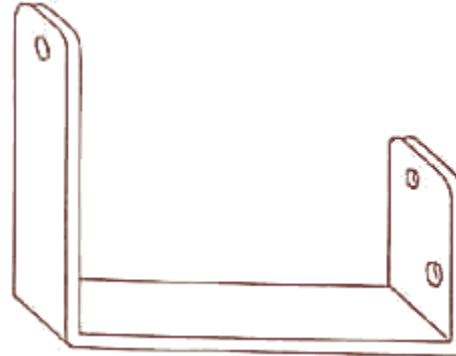
**HL1 Concealed Bracket**



**HL2 External Bracket**



**HL3 280mm x 175mm Bracket**



**HL4 175mm x 175mm Bracket**

Hi Line spouting brackets are only available made in Galvanised Steel.

HL2 is available in aluminium, powder coated galvanised steel and stainless steel.

Hi Line spouting is available in three sizes:

- 125mm x 125mm, 175mm x 175mm, 280mm x 175mm (depth x height)

*Please allow 2 weeks lead time for delivery of all external bracket sizes.*



**Sales**  
0800 737 663



**free fax order line**  
0800 273 766



**Branch Address**

**Auckland**  
9 Neil Park Drive  
East Tamaki  
Phone (09) 271 0681  
Fax (09) 271 0684

**Milton**  
332 Union Street  
Phone (03) 417 7245  
Fax (03) 417 7283

**Invercargill**  
120 Bond Street  
Phone (03) 214 5544  
Fax (03) 214 5577

**Christchurch**  
127 Wrights Road  
Phone (03) 338 0013  
Fax (03) 338 0791

**Dunedin**  
26 Fox Street  
Phone (03) 479 0658  
Fax (03) 455 4196

**Cromwell**  
1 McNulty Road  
Phone (03) 445 3303  
Fax (03) 445 3304

**Queenstown**  
PO Box 437  
Phone (03) 442 2202  
Fax (03) 442 2204

e-mail : [info@calstewart.co.nz](mailto:info@calstewart.co.nz)  
web [www.roofer.co.nz](http://www.roofer.co.nz)

Calder **Stewart**  
Roofing

box gutters 30/10/2002  
page 3 of 3